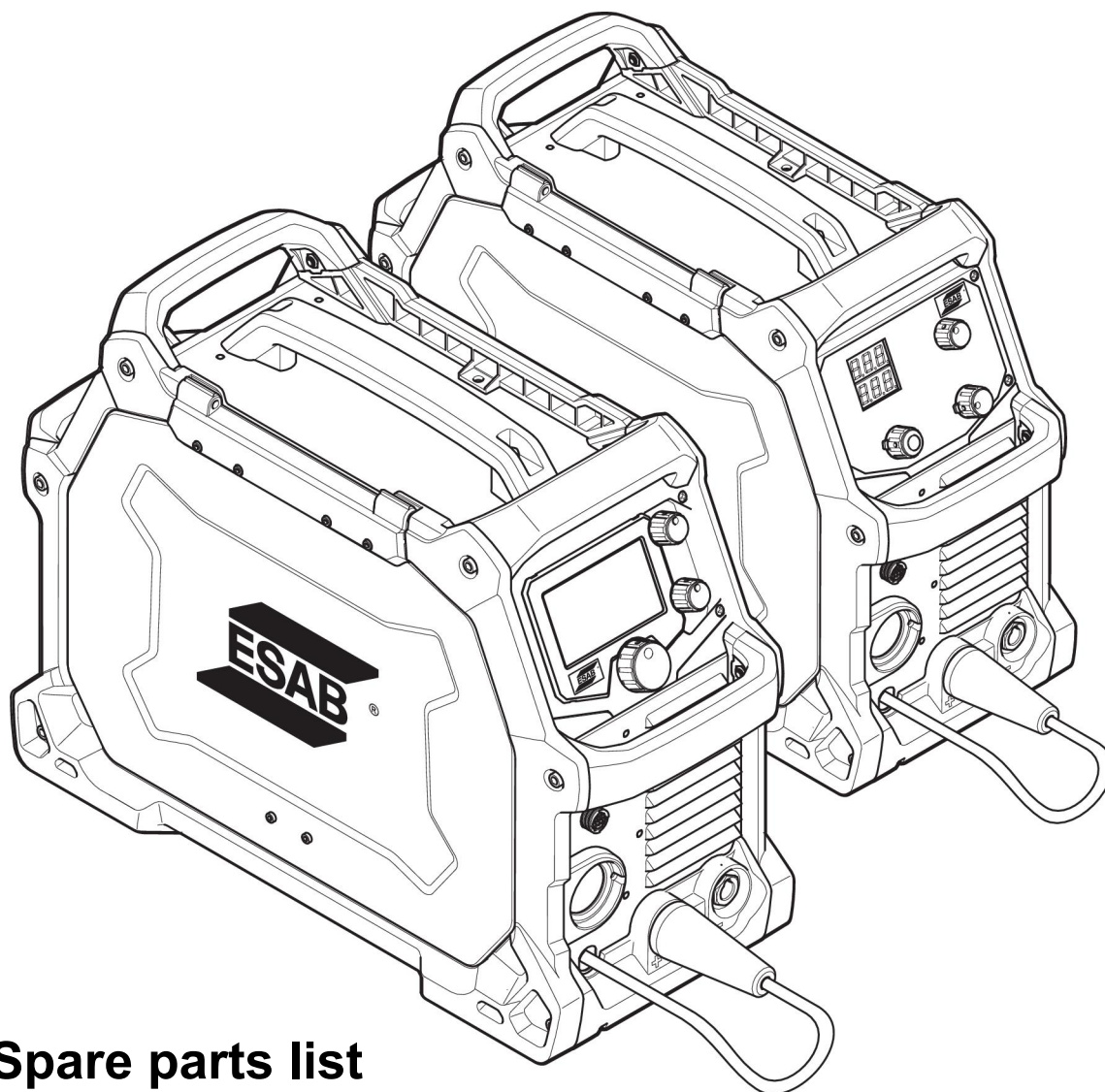




# ***EMS215ic, EMP215ic, EM215ic***



## **Spare parts list**

<b>Ordering number</b>	<b>Product</b>	<b>Notes</b>	<b>Serial no.</b>
0558 102 239	EMS215ic	Bobbin Ø4-8" (100-200 mm). CSA/Bayonet	612-xxx-xxxx
0558 102 240	EMP215ic	Bobbin Ø4-8" (100-200 mm). CSA/Bayonet	552-xxx-xxxx
0558 102 436	EM215ic	Bobbin Ø4-8" (100-200 mm). CSA/Bayonet	623-xxx-xxxx
0700 300 985	EMP215ic	Bobbin Ø100-200 mm (4-8") CE, euro connection	615-xxx-xxxx
0700 300 988	EMP215ic	Bobbin Ø100-200 mm (4-8"), euro connection (Middle East)	643-xxx-xxxx

Spare parts and wear parts are to be ordered through the nearest ESAB agency. Kindly indicate type of unit, serial number, denominations and ordering numbers according to the spare parts list.

Maintenance and repair work should be performed by an experienced person, and electrical work only by a trained electrician. Use only recommended spare parts.

TABLE OF CONTENTS

---

**SPARE PARTS** ..... 4

**Housing** ..... 4

**Connections including drive system**..... 6

**User interface** ..... 8

**Control modules** ..... 10

**WEAR PARTS - CSA**..... 12

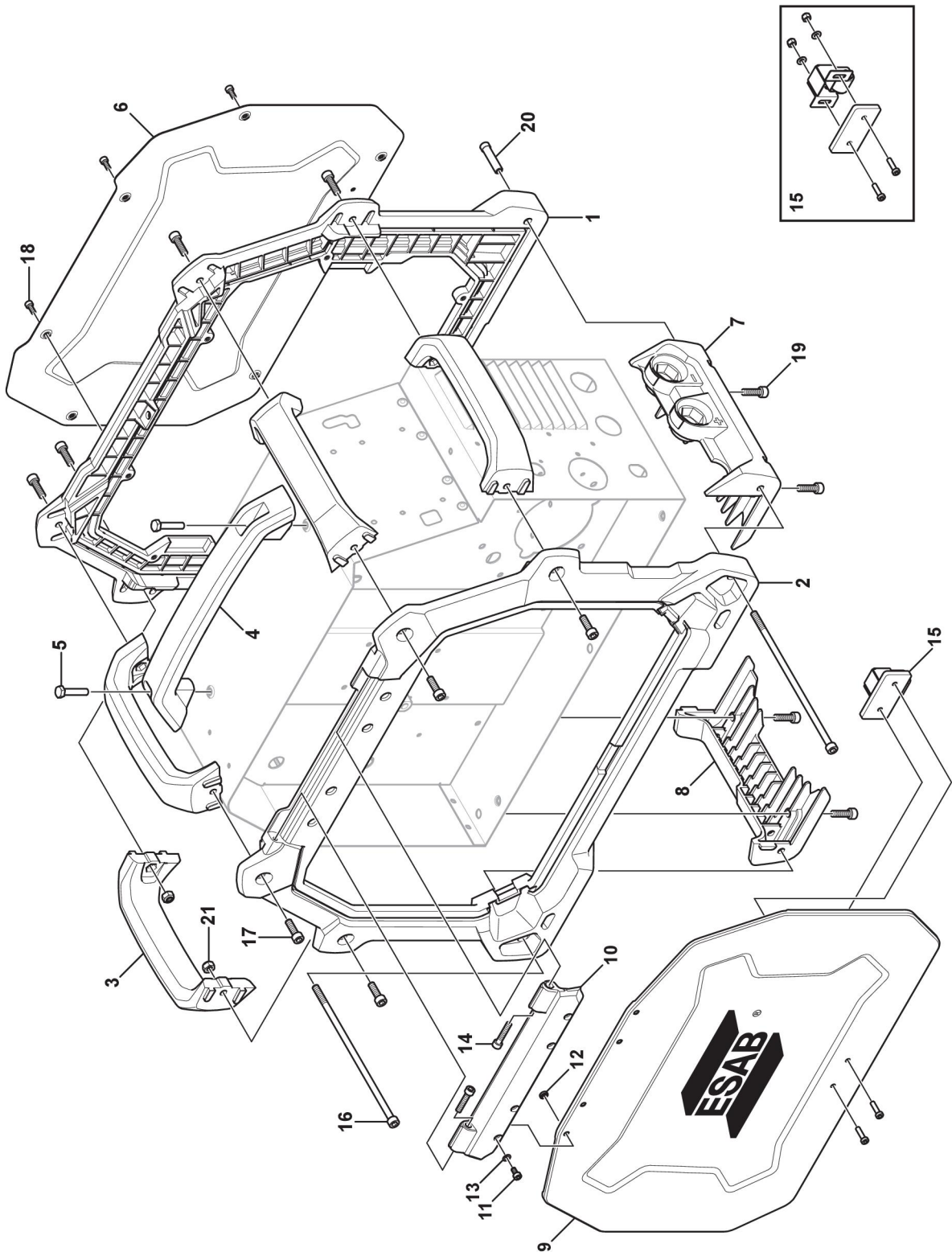
**WEAR PARTS - CE** ..... 13

## SPARE PARTS

**Housing**

C = Component designation in circuit diagram

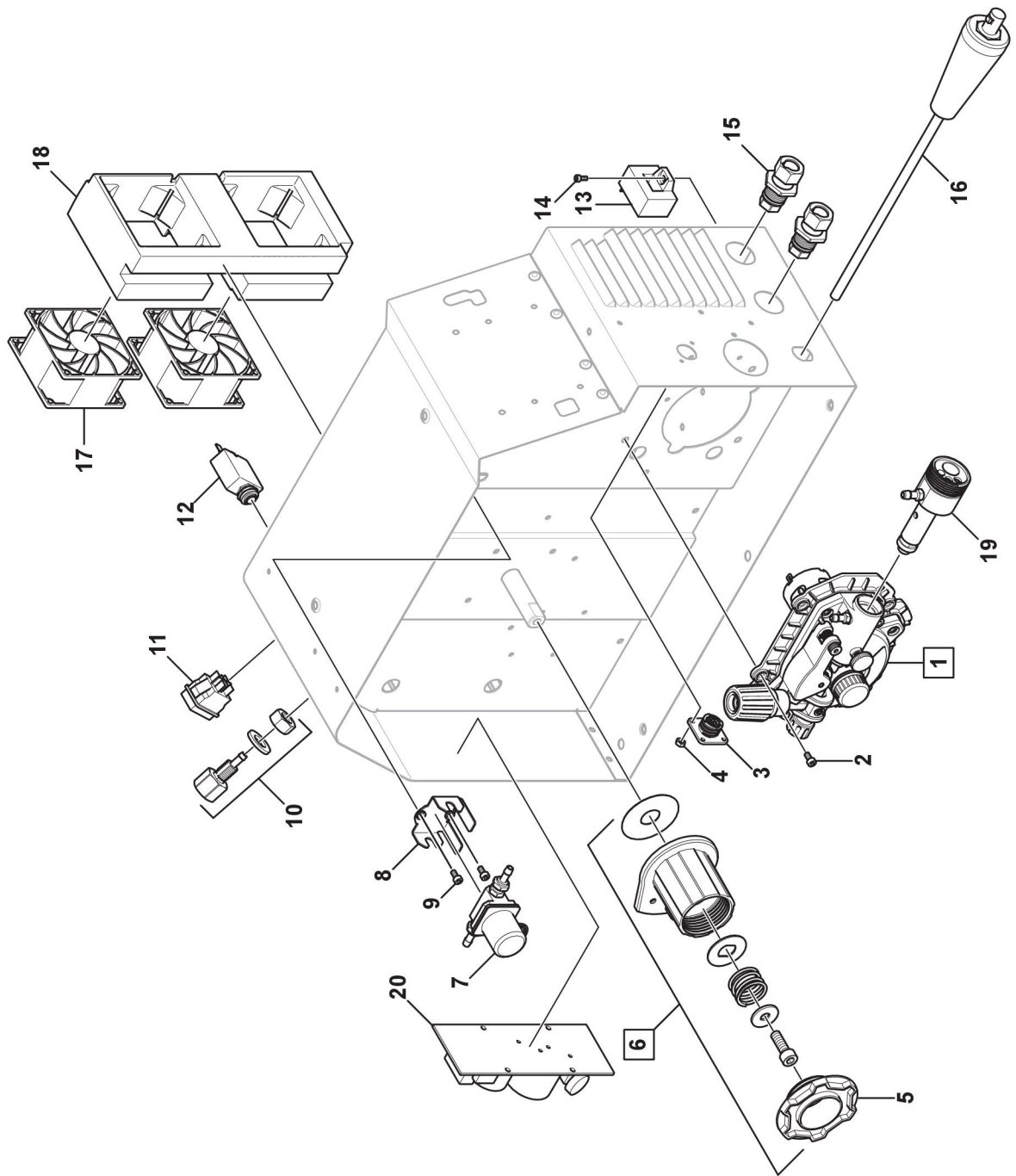
Item	Qty	Ordering no.	Denomination	Notes	C
1	1	0558 102 397	Side frame, left		
2	1	0558 102 398	Side frame, right		
3	4	0558 102 399	Handle		
4	1	0558 102 400	Top handle		
5	2		Screw		
6	1	0558 102 401	Side panel, left	CSA, with ESAB logo and welding decal	
	1	0464 581 001	Side panel, left	CE, with ESAB logo and welding decal	
7	1	0558 102 402	Front foot	With decals	
8	1	0558 102 403	Rear foot		
9	1	0558 102 404	Side panel right	CSA, with ESAB logo	
	1	0464 582 001	Side panel right	CE, with ESAB logo	
10	1	0558 102 406	Hinge		
11	4		Screw	M4 × 8 mm	
12	4		Nut	M4 × 0.7 mm	
13	4		Washer	M4	
14	2	0558 102 407	Hinge pin		
15	1	0558 102 405	Roller latch assembly		
16	2		Screw	M6 × 180 mm	
17	8		Screw	M6 × 20 mm	
18	6		Screw	M4 × 10 mm	
19	4		Screw	M6 × 20 mm	
20	2		Sex bolt	M6	
21	8		Nut	M6	



## Connections including drive system

C = Component designation in circuit diagram

Item	Qty	Ordering no.	Denomination	Notes	C
1	1	0558 102 408	Wire feeder mechanism	CSA, including motor and harness	
	1	0464 583 880	Wire feeder mechanism	CE, including motor and harness	
2	1		Screw	M5 × 16 mm	
3	1	0558 102 409	Remote connection outlet with harness	8-pin connector	
4	2		Nut	M3 × 0.5 mm	
5	1	0558 102 410	Brake hub nut		
6	1	0558 102 411	Brake hub kit		
7	1	0558 102 412	Solenoid assembly with hoses	With gas valve, hose clamps and hoses	
8	1	0558 102 413	Bracket for solenoid valve		
9	2		Screw	M4 × 10 mm	
10	1	0558 102 414	Gas connector	CSA	
	1	0464 587 880	Gas connector	CE	
11	1	0558 102 415	Main supply switch		
12	1	0558 102 416	Circuit breaker		
13	1	0558 102 417	Current sensor		
14	1		Screw	M3 × 8 mm	
15	2	0558 102 418	OKC contact female		
16	1	0558 102 419	Polarity changeover cable complete		
17	2	0558 102 420	Fan + wire harness	Including wire harness	
18	1	0558 102 421	Fan protection foam		
19	1	0464 588 880	Euro connection with harness	CE only	
20	1	0464 589 880	EMI PCB assembly incl. wire harness	CE only	
21	1	0558 102 442	Warning pinch-shock label	Not included in illustration	



## User interface

C = Component designation in circuit diagram

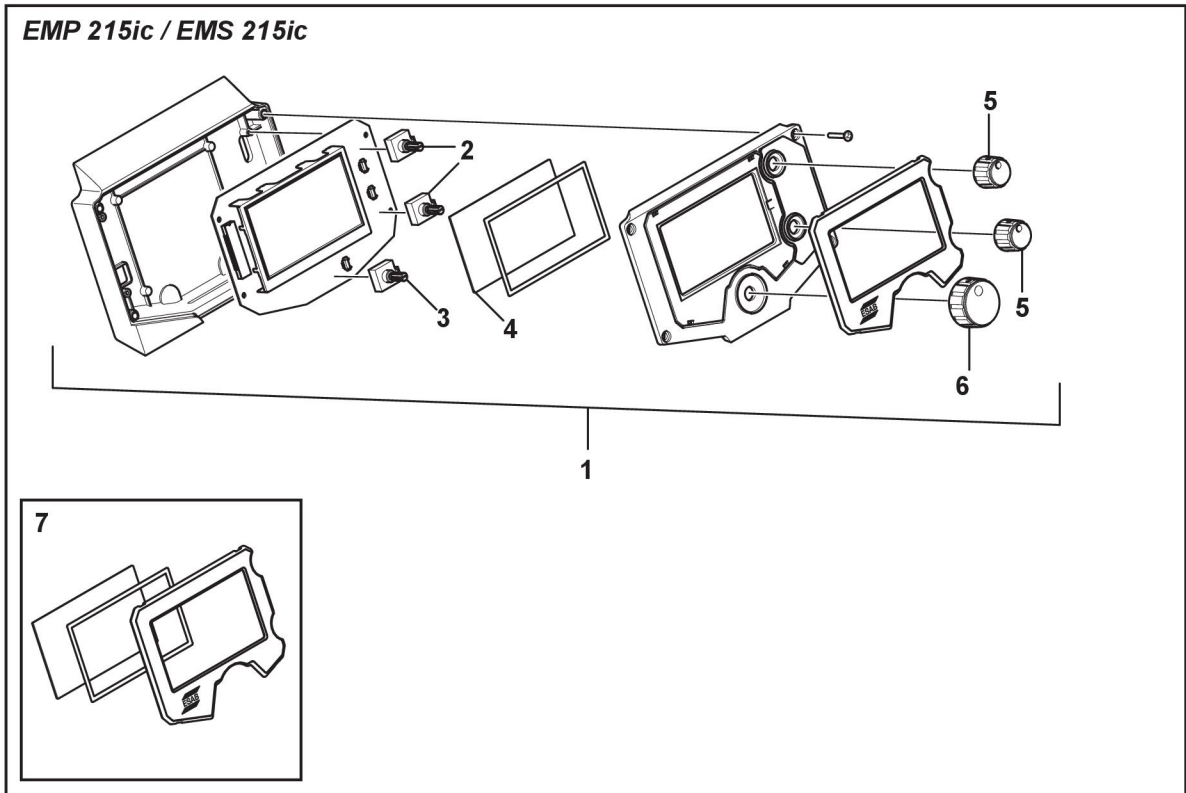
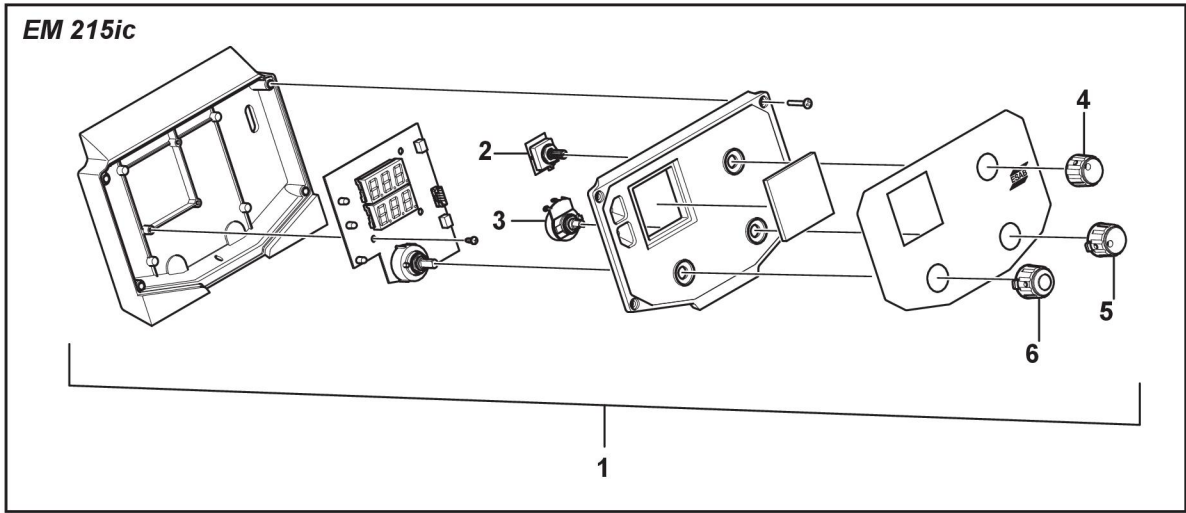
### EM 215ic

Item	Qty	Ordering no.	Denomination	Notes	C
1	1	0558 102 486	User interface complete		
2	1	0558 102 423	Knob encoder with retaining ring		
3	1	0558 102 487	WF Pot Assembly		
4	1	0558 102 440	Knob, small		
5	2	0558 102 489	WF Pot Knob		
6	1	0558 102 488	Process Select Knob		

### EMP 215ic, EMS 215ic

Item	Qty	Ordering no.	Denomination	Notes	C
1	1	0558 102 422	EMP215ic panel assembly	CSA	
	1	0464 590 880	EMP215ic panel assembly	CE	
	1	0558 102 485	EMS215ic panel assembly	CSA	
2	2	0558 102 423	Encoder for small knob		
3	1	0558 102 424	Encoder for large knob		
4	1	0558 102 438	Replaceable display lens		
5	2	0558 102 440	Knob, small		
6	1	0558 102 441	Knob, large		
7	1	0558 102 437	EMP215ic lens assembly kit		
	1	0558 102 484	EMS215ic lens assembly kit		

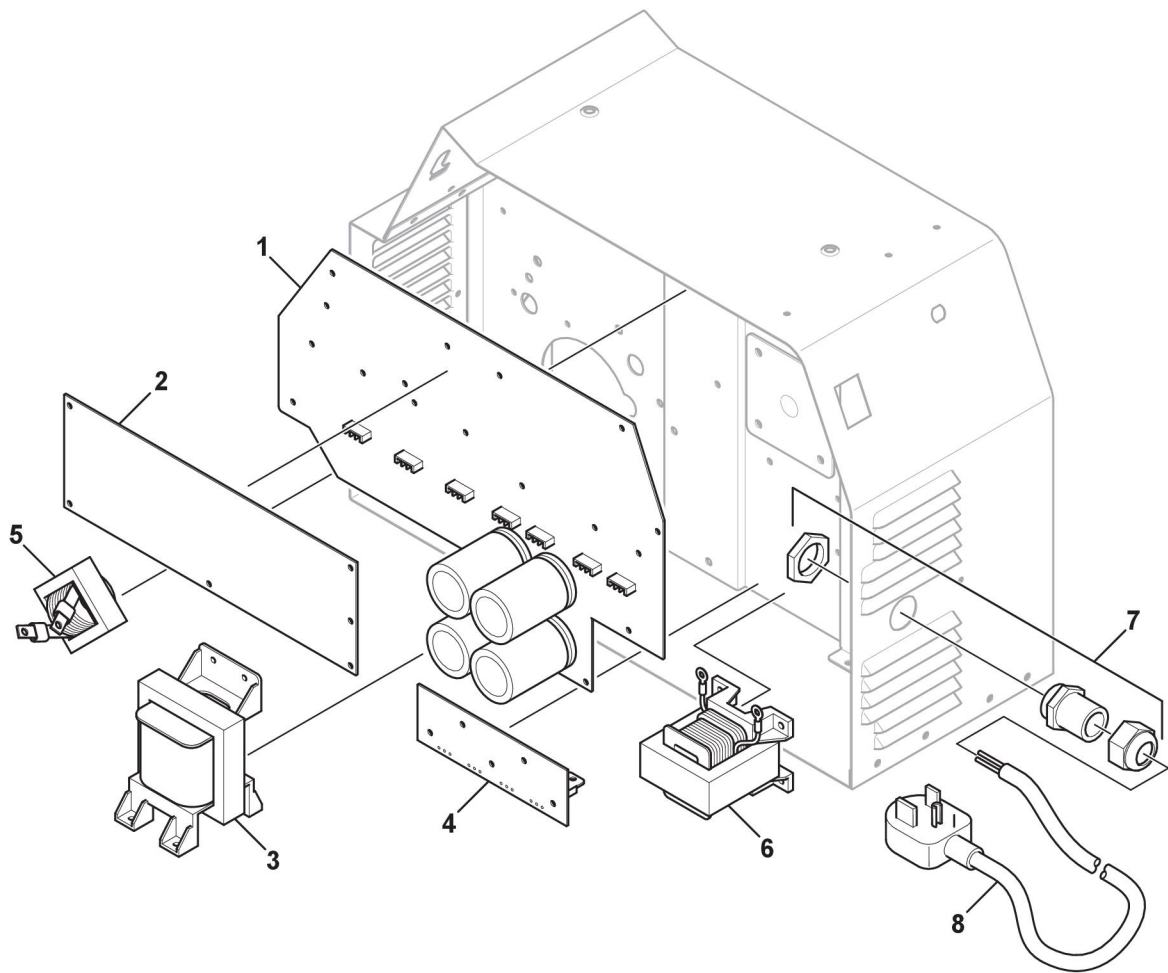




## Control modules

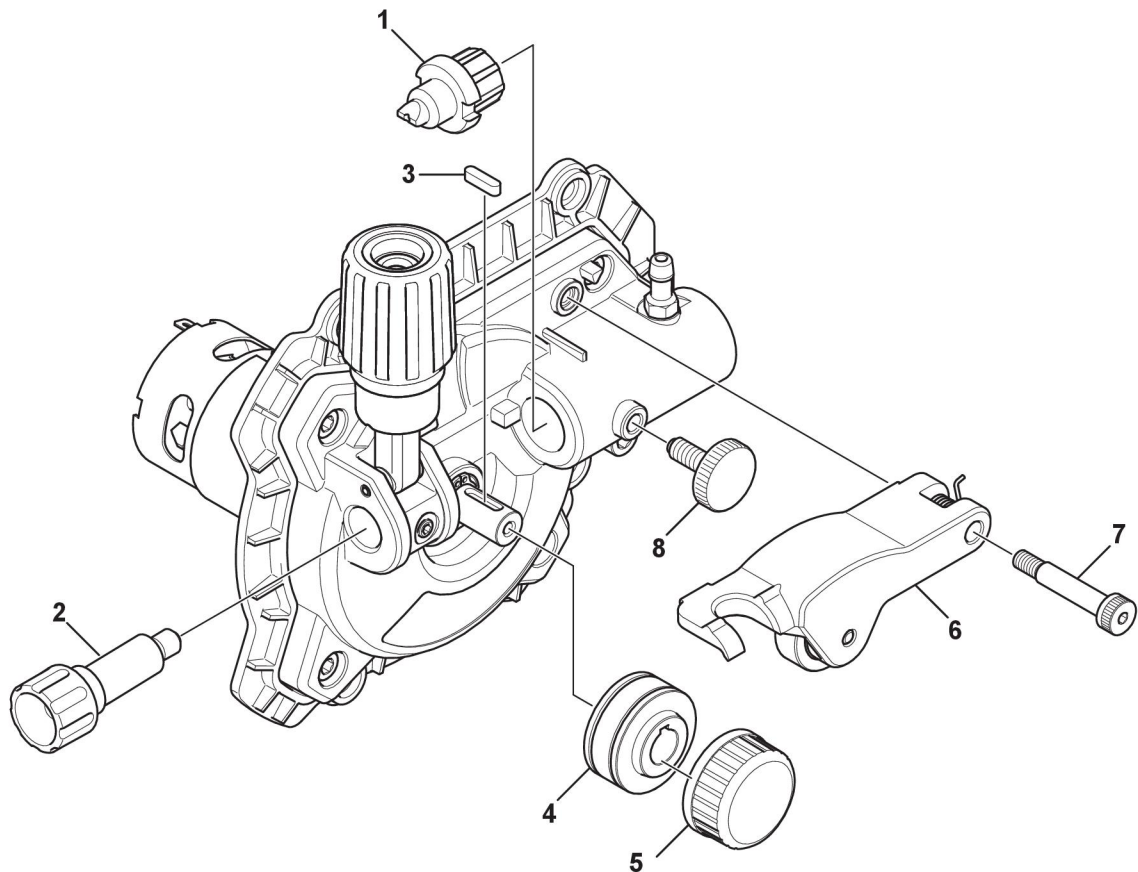
C = Component designation in circuit diagram

Item	Qty	Ordering no.	Denomination	Notes	C
1	1	0558 102 426	PCB Power board assembly	CSA	
	1	0464 591 880	PCB Power board assembly	CE	
2	1	0558 102 427	PCB Control board complete	CSA	
	1	0464 592 880	PCB Control board complete	CE	
3	1	0558 102 428	Main transformer with NTC (3x)		
4	1	0558 102 429	Output diode assembly		
5	1	0558 102 430	Output inductor assembly		
6	1	0558 102 431	PFC inductor assembly		
7	1	0558 102 432	Strain relief assembly assembly		
8	1	0558 102 433	Mains cable complete	CSA only	
9	1	0558 102 434	Warning label	Not included in illustration	



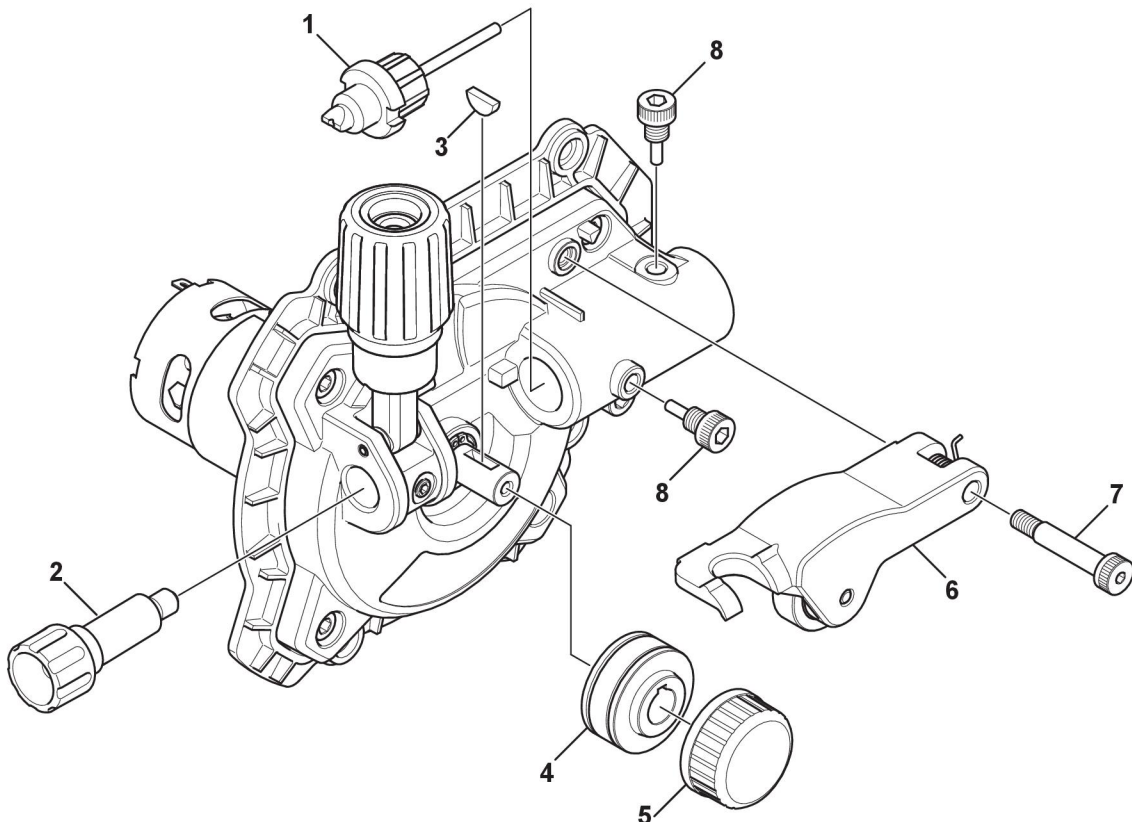
## WEAR PARTS - CSA

Item	Ordering no.	Denomination	Wire type	Wire dimensions
1	0558 102 326	Wire outlet guide	Fe/SS/Flux Cored	0.030" / 0.035" / 0.045" (0.8 mm / 0.9 mm / 1.2 mm)
	0558 102 327	Wire outlet guide	Fe/SS/Flux Cored	0.024" (0.6 mm)
2	0558 102 328	Wire inlet guide	Fe/SS/Flux Cored	0.024" / 0.030" / 0.035" / 0.045" (0.6 mm / 0.8 mm / 0.9 mm / 1.2 mm)
3	0558 102 334	Key-drive shaft	N/A	N/A
4	7977036	Feed roll "V" groove	Fe/SS	0.024" / 0.030" (0.6 mm / 0.8 mm)
	W4014800	Feed roll "V" groove	Fe/SS	0.024" / 0.035" (0.6 mm / 0.9 mm)
	7977732	Feed roll "V" knurled	Flux Cored	0.030" / 0.035" (0.8 mm / 0.9 mm)
	7044277	Feed roll "V" knurled	Flux Cored	0.045" (1.1 mm)
5	0558 102 329	Locking knob	N/A	N/A
6	0558 102 331	Pressure arm complete assembly	N/A	N/A
7	0558 102 330	Screw	N/A	N/A
8	0558 102 332	MIG gun locking knob	N/A	N/A



## WEAR PARTS - CE

Item	Ordering no.	Denomination	Wire type	Wire dimensions
1	0558 102 460	Wire outlet guide steel	Fe/SS/Flux Cored	1.0 mm - 1.2 mm (0.040" / 0.045")
	0558 102 461	Wire outlet guide steel	Fe/SS/Flux Cored	0.6 mm - 0.8 mm (0.023" - 0.030")
2	0558 102 328	Wire inlet guide	Fe/SS/Flux Cored	0.6 mm / 0.8 mm / 0.9 mm / 1.2 mm (0.023" / 0.030" / 0.035" / 0.045")
3	0191 496 114	Key-drive shaft crescent	N/A	N/A
4	0367 556 001	Feed roll "V" groove	Fe/SS/Flux Cored	0.6 mm / 0.8 mm (0.023" / 0.030")
	0367 556 002	Feed roll "V" groove	Fe/SS/Flux Cored	0.8 mm / 1.0 mm (0.030" / 0.040")
	0367 556 003	Feed roll "V" knurled	Fe/SS/Flux Cored	1.0 mm / 1.2 mm (0.040" / 0.045")
	0367 556 004	Feed roll "U" groove	Aluminium	1.0 mm / 1.2 mm (0.040" / 0.045")
5	0558 102 329	Locking knob	N/A	N/A
6	0558 102 331	Pressure arm complete assembly	N/A	N/A
7	0558 102 330	Screw	N/A	N/A
8	0558 102 459	Euro adapter locating screw	N/A	N/A



# ESAB subsidiaries and representative offices

## Europe

### AUSTRIA

ESAB Ges.m.b.H  
Vienna-Liesing  
Tel: +43 1 888 25 11  
Fax: +43 1 888 25 11 85

### BELGIUM

S.A. ESAB N.V.  
Heist-op-den-Berg  
Tel: +32 15 25 79 30  
Fax: +32 15 25 79 44

### BULGARIA

ESAB Kft Representative Office  
Sofia  
Tel: +359 2 974 42 88  
Fax: +359 2 974 42 88

### THE CZECH REPUBLIC

ESAB VAMBERK s.r.o.  
Vamberk  
Tel: +420 2 819 40 885  
Fax: +420 2 819 40 120

### DENMARK

Aktieselskabet ESAB  
Herlev  
Tel: +45 36 30 01 11  
Fax: +45 36 30 40 03

### FINLAND

ESAB Oy  
Helsinki  
Tel: +358 9 547 761  
Fax: +358 9 547 77 71

### GREAT BRITAIN

ESAB Group (UK) Ltd  
Waltham Cross  
Tel: +44 1992 76 85 15  
Fax: +44 1992 71 58 03

ESAB Automation Ltd  
Andover

Tel: +44 1264 33 22 33  
Fax: +44 1264 33 20 74

### FRANCE

ESAB France S.A.  
Cergy Pontoise  
Tel: +33 1 30 75 55 00  
Fax: +33 1 30 75 55 24

### GERMANY

ESAB Welding & Cutting GmbH  
Langenfeld  
Tel: +49 2173 3945-0  
Fax: +49 2173 3945-218

### HUNGARY

ESAB Kft  
Budapest  
Tel: +36 1 20 44 182  
Fax: +36 1 20 44 186

### ITALY

ESAB Saldatura S.p.A.  
Bareggio (Mi)  
Tel: +39 02 97 96 8.1  
Fax: +39 02 97 96 87 01

## THE NETHERLANDS

ESAB Nederland B.V.  
Amersfoort  
Tel: +31 33 422 35 55  
Fax: +31 33 422 35 44

## NORWAY

AS ESAB  
Larvik  
Tel: +47 33 12 10 00  
Fax: +47 33 11 52 03

## POLAND

ESAB Sp.zo.o.  
Katowice  
Tel: +48 32 351 11 00  
Fax: +48 32 351 11 20

## PORTUGAL

ESAB Lda  
Lisbon  
Tel: +351 8 310 960  
Fax: +351 1 859 1277

## ROMANIA

ESAB Romania Trading SRL  
Bucharest  
Tel: +40 316 900 600  
Fax: +40 316 900 601

## RUSSIA

LLC ESAB  
Moscow  
Tel: +7 (495) 663 20 08  
Fax: +7 (495) 663 20 09

## SLOVAKIA

ESAB Slovakia s.r.o.  
Bratislava  
Tel: +421 7 44 88 24 26  
Fax: +421 7 44 88 87 41

## SPAIN

ESAB Ibérica S.A.  
San Fernando de Henares  
(MADRID)  
Tel: +34 91 878 3600  
Fax: +34 91 802 3461

## SWEDEN

ESAB Sverige AB  
Gothenburg  
Tel: +46 31 50 95 00  
Fax: +46 31 50 92 22

ESAB International AB

Gothenburg  
Tel: +46 31 50 90 00  
Fax: +46 31 50 93 60

## SWITZERLAND

ESAB Europe GmbH  
Baar  
Tel: +41 1 741 25 25  
Fax: +41 1 740 30 55

## UKRAINE

ESAB Ukraine LLC  
Kiev  
Tel: +38 (044) 501 23 24  
Fax: +38 (044) 575 21 88

## North and South America

### ARGENTINA

CONARCO  
Buenos Aires  
Tel: +54 11 4 753 4039  
Fax: +54 11 4 753 6313

### BRAZIL

ESAB S.A.  
Contagem-MG  
Tel: +55 31 2191 4333  
Fax: +55 31 2191 4440

### CANADA

ESAB Group Canada Inc.  
Mississauga, Ontario  
Tel: +1 905 670 0220  
Fax: +1 905 670 4879

### MEXICO

ESAB Mexico S.A.  
Monterrey  
Tel: +52 8 350 5959  
Fax: +52 8 350 7554

### USA

ESAB Welding & Cutting  
Products  
Florence, SC  
Tel: +1 843 669 4411  
Fax: +1 843 664 5748

## Asia/Pacific

### AUSTRALIA

ESAB South Pacific  
Archerfield BC QLD 4108  
Tel: +61 1300 372 228  
Fax: +61 7 3711 2328

### CHINA

Shanghai ESAB A/P  
Shanghai  
Tel: +86 21 2326 3000  
Fax: +86 21 6566 6622

### INDIA

ESAB India Ltd  
Calcutta  
Tel: +91 33 478 45 17  
Fax: +91 33 468 18 80

### INDONESIA

P.T. ESABindo Pratama  
Jakarta  
Tel: +62 21 460 0188  
Fax: +62 21 461 2929

### JAPAN

ESAB Japan  
Tokyo  
Tel: +81 45 670 7073  
Fax: +81 45 670 7001

### MALAYSIA

ESAB (Malaysia) Snd Bhd  
USJ  
Tel: +603 8023 7835  
Fax: +603 8023 0225

### SINGAPORE

ESAB Asia/Pacific Pte Ltd  
Singapore  
Tel: +65 6861 43 22  
Fax: +65 6861 31 95

## SOUTH KOREA

ESAB SeAH Corporation  
Kyungnam  
Tel: +82 55 269 8170  
Fax: +82 55 289 8864

## UNITED ARAB EMIRATES

ESAB Middle East FZE  
Dubai  
Tel: +971 4 887 21 11  
Fax: +971 4 887 22 63

## Africa

### EGYPT

ESAB Egypt  
Dokki-Cairo  
Tel: +20 2 390 96 69  
Fax: +20 2 393 32 13

### SOUTH AFRICA

ESAB Africa Welding & Cutting  
Ltd  
Durbanville 7570 - Cape Town  
Tel: +27 (0)21 975 8924

## Distributors

*For addresses and phone numbers to our distributors in other countries, please visit our home page*

[www.esab.com](http://www.esab.com)



[www.esab.com](http://www.esab.com)

